

---

Date: **05.07.2024**

Time: **20:45**

Subject: **CoC Communication 4**

Document No.: **3.8**

---

From: The Clerk of the Course

To: All Competitors / crew members


---

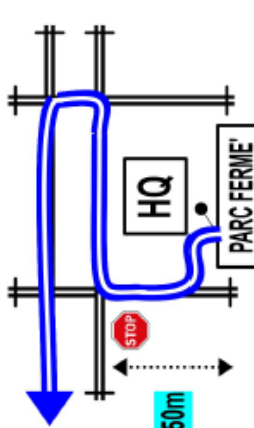



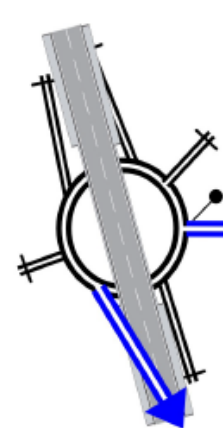
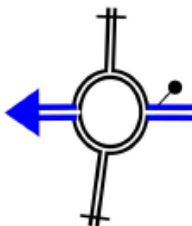
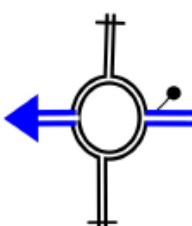
Number of pages: 1

Attachments: 1

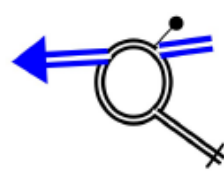
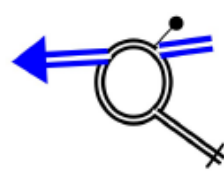
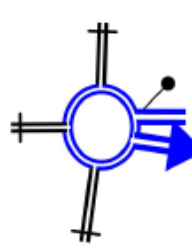


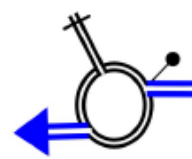
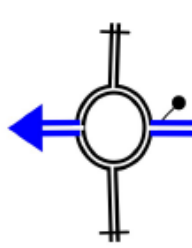
---

Enclosed **Additional** Road Book for Stage 1.  
(Only for Competitors needing to refuel with 100 Octane Gasoline at Q8 Fuel Station).

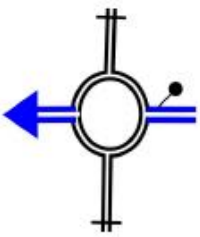

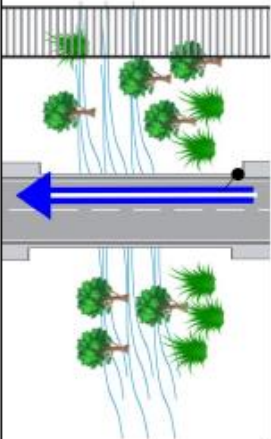
  
Mauro FURLANETTO  
Clerk of the Course

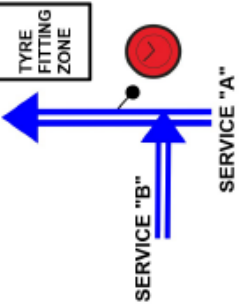
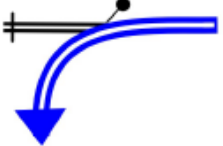

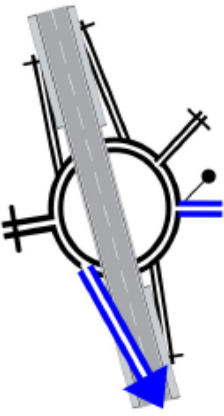
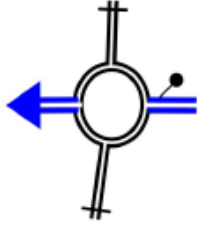
1	TC 0: ICIP - Parc Fermé OUT TC 1: BARBEANO - START S.S.1	Parc Fermé OUT TRIP 00,00 	27.79
<b>0.00</b> 0.00	 <b>0.65</b> 0.65	 	
<b>1.94</b> 1.29			
<b>3.10</b> 1.16		<b>NEW NOTE</b>	
<b>4.24</b> 1.14		<b>NEW NOTE</b>	

Next 0.23

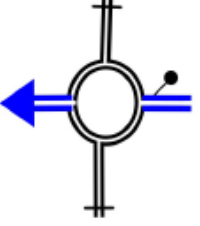
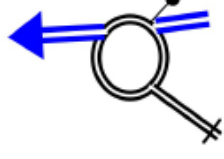
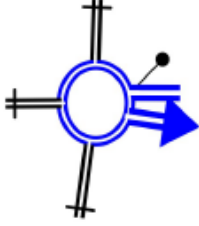


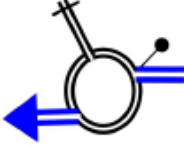
2	TC 0: ICIP - Parc Fermé OUT TC 1: BARBEANO - START S.S.1		27.79
<b>4.47</b> 0.23	<b>NEW NOTE</b>		
<b>4.75</b> 0.28	<b>NEW NOTE</b>		
<b>4.87</b> 0.12	<b>NEW NOTE</b>		
<b>5.10</b> 0.23	<b>NEW NOTE</b>		
<b>5.35</b> 0.25	<b>NEW NOTE</b>		

Next 1.13

3	TC 0: ICIP - Parc Fermé OUT TC 1: BARBEANO - START S.S.1	25.77
11	<p><b>NEW NOTE</b></p> <p><b>6.48</b></p> 	
1.13		
12	<p><b>NEW NOTE</b></p> <p><b>7.19</b></p> 	
0.71		
13	<p><b>7.87</b></p> 	<p>RESET TRIP AT 03.72KM TULIP 10 PAGE 2</p>
0.68		

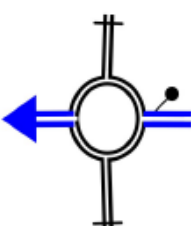
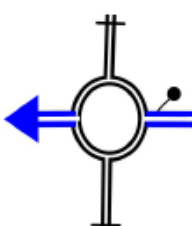

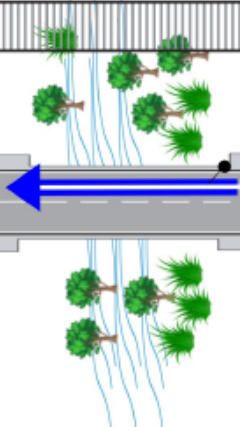
<p>1</p> <p>TC 1C/2C: ICIP - SERVICE OUT TC : BARBEANO - START S.S.2/3</p>	<p>0.00</p>  <p>0.00</p>	<p>0.23</p>  <p>0.23</p> <p>Via Interporto Centro Ingresso</p>	<p>1.01</p>  <p>0.78</p> <p>MODIF</p> <p>2.31</p>  <p>1.30</p>	<p>3.47</p>  <p>1.16</p>	<p>VENEZIA</p> <p>UDINE</p> <p>PORDENONE</p>
--	--	---	---	---	--

Next 1.14

<p>2</p> <p>TC 1C/2C: ICIP - SERVICE OUT TC : BARBEANO - START S.S.2/3</p>	<p>NEW NOTE</p> <p>4.61</p>  <p>1.14</p>	<p>NEW NOTE</p> <p>4.84</p>  <p>0.23</p>	<p>NEW NOTE</p> <p>5.12</p>  <p>0.28</p>	<p>NEW NOTE</p> <p>5.24</p>  <p>0.12</p> 	<p>NEW NOTE</p> <p>5.47</p>  <p>0.23</p>
--	---	---	---	--	---

Next 0.25

28.01

3	TC 1C/2C: ICIP - SERVICE OUT TC : BARBEANO - START S.S.2/3	26.91
11	<p><b>NEW NOTE</b></p> <p><b>5.72</b></p> <p>0.25</p> 	
12	<p><b>NEW NOTE</b></p> <p><b>6.85</b></p> <p>1.13</p> 	
13	<p><b>NEW NOTE</b></p> <p><b>7.56</b></p> <p>0.71</p> 	
14	<p><b>8.23</b></p> <p>0.67</p> 	<p>RESET TRIP AT 04.09KM TULIP 11 PAGE 70</p>